

# MOTOR

## Induction motor with spur gearbox, 40W

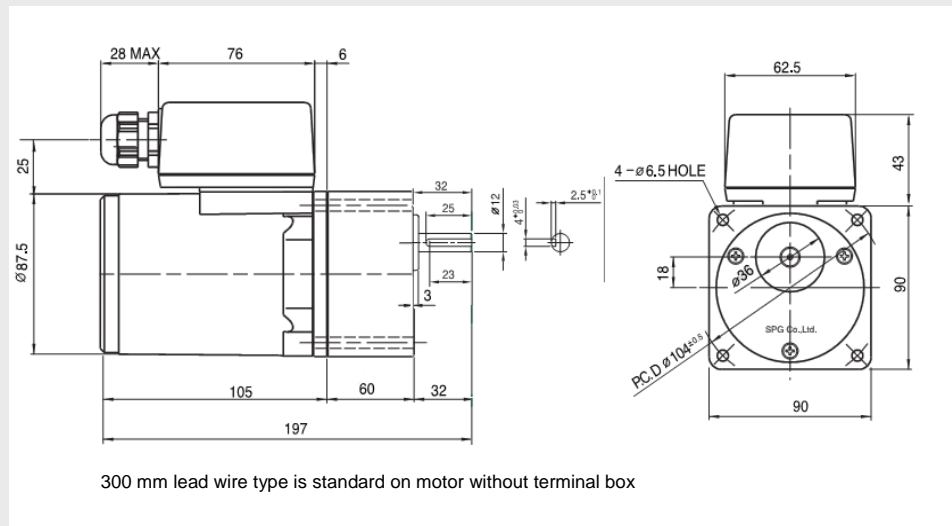


- Built-in thermal protection
- Low noise
- Maintenance – free gearbox
- Tacho and brake option

### Technical data:

Voltage:	115 ... 400 VAC / 50 - 60 Hz
Output power:	40 W
Rated torque:	25 - 34 Ncm
Motor speed:	1250 - 1600 rpm
Output speed:	7,5 – 500 rpm
Current:	0,39 - 1,00 A
IP protection:	IP54 with terminal box, IP 23 with lead wire type
Approvals:	CE, CCC and UL at 155 VAC

### Dimensions:



### Order information motor:

Article no	Type
S9I40GXHCE	Induction motor, 230 VAC with lead wire
S9I40GXH-TCE	Induction motor, 230 VAC with terminal box
S9I40GTH-TCE	Induction motor, 3-phase 230 VAC with terminal box
S9I40GSH-TCE	Induction motor, 400 VAC with terminal box
S9R40GXH-TCE	Reversible motor, 230 VAC with terminal box

### Order information gearbox:

Article no	Max torque at continuous operation Nm	Output speed rpm
S9KB12.5BH	3.37	120
S9KB18BH	4.86	83
S9KB25BH	6.08	60
S9KB36BH	8.76	41
S9KB75BH	9.80	20
S9KB100BH	9.80	15
S9KB180BH	9.80	8

Motor and gear is delivered separately. More models are available in standard program, contact us for information