

MOTOR

Induction motor with spur gearbox, 6W

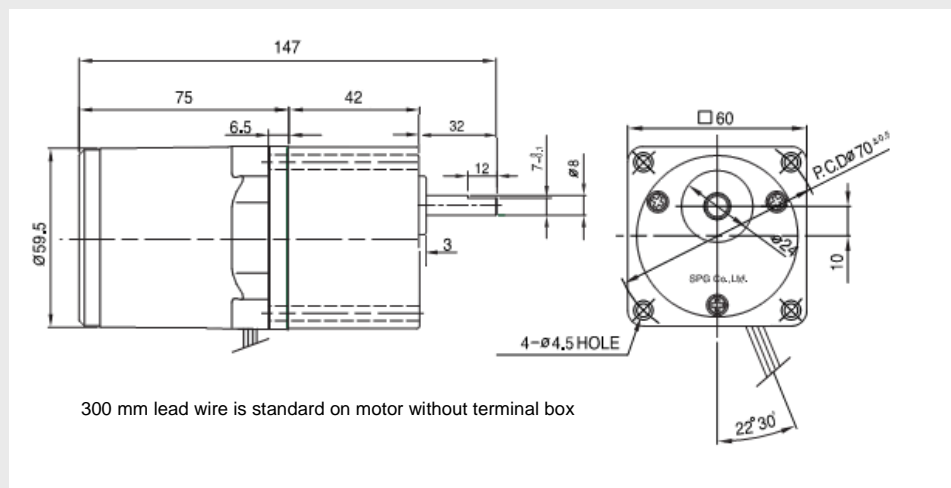


- Built-in thermal protection
- Low noise
- Maintenance – free gearbox
- Tacho and brake as option

Technical data:

Voltage:	115...240 VAC / 50 - 60 Hz
Output power:	6 W
Rated torque:	4 - 5,3 Ncm
Motor speed:	1200 - 1500 rpm
Output speed:	6 - 500 rpm
Current:	0,08 - 0,21 A
IP protection:	IP23 lead wire type
Approvals:	CE, CCC and UL at 115 VAC

Dimensions:



Order information motor:

Article no	Type
S6I06GXCE	Induction motor 230 VAC with lead wire
S6R06GXCE	Reversible motor 230 VAC with lead wire
S6I06GECE	Induction motor 115 VAC with lead wire

Order information gearbox:

Article no	Max torque at continuous operation Nm	Output speed rpm
S6DA12.5B	0.53	120
S6DA18B	0.75	83
S6DA25B	0.95	60
S6DA36B	1.36	41
S6DA75B	2.57	20
S6DA100B	2.94	15
S6DA180B	2.94	8

Motor and gear is delivered separately. More models are available in standard program, contact us for information.