

# POWERSUPPLIES



## RS-50, Switching powersupply, 50W

- Wide input voltage range
- LED indication for power on
- International safety approvals
- 3 years warranty

### Technical data:

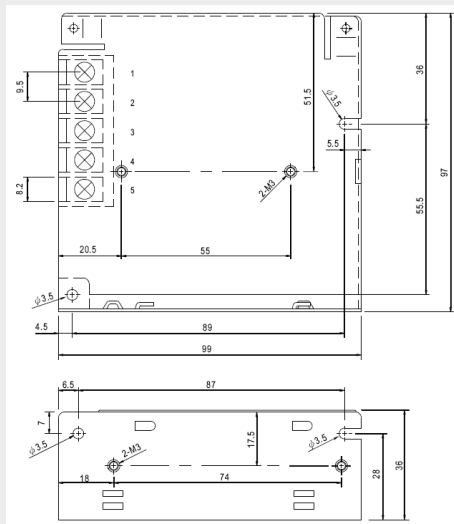
#### Input:

Input voltage: 88-264VAC / 125-373VDC  
 Frequency: 47-63 Hz  
 Input current at 230VAC: 0.8A  
 Inrush current at 230VAC: 33A

#### Output:

Output voltage: See below table  
 Output current: See below table  
 Adjustable output voltage: +/-10%  
 Overload protection: 110-150% hiccup mode, auto-recovery  
 Over voltage protection: 115-135% rated output voltage  
 Line regulation 88-264V: +/-0.5%  
 Load regulation 0-100% load: +/-0.5-2%  
 Ripple & noise: 80-200mA depends of model  
 Efficiency: 72-86%  
 Temperature range: -25°C...+50°C@100%, +70°C@50%  
 Connection: Screw terminals  
 Size: 99x97x36 mm  
 Weight: 410g  
 Safety and EMC: UL/TÜV/CE/CB

### Mechanical drawing:



Terminal Pin. No Assignment

Pin No.	Assignment	Pin No.	Assignment
1	AC/L	4	DC OUTPUT -V
2	AC/N	5	DC OUTPUT +V
3	FG $\perp$		

### Ordering information:

Type	Power	Output voltage	Output current
RS-50-3.3	33W	3.3VDC	10A
RS-50-5	50W	5VDC	10A
RS-50-12	50W	12VDC	4.2A
RS-50-15	51W	15VDC	3.4A
RS-50-24	52.8W	24VDC	2.2A
RS-50-48	52.8W	48VDC	1.1A