

POWERSUPPLIES

PoE injector, 15.4W



- Complies with IEEE802.3af
- Three LED indicates function and power
- Integrated screw flanges
- International approvals

Technical data:

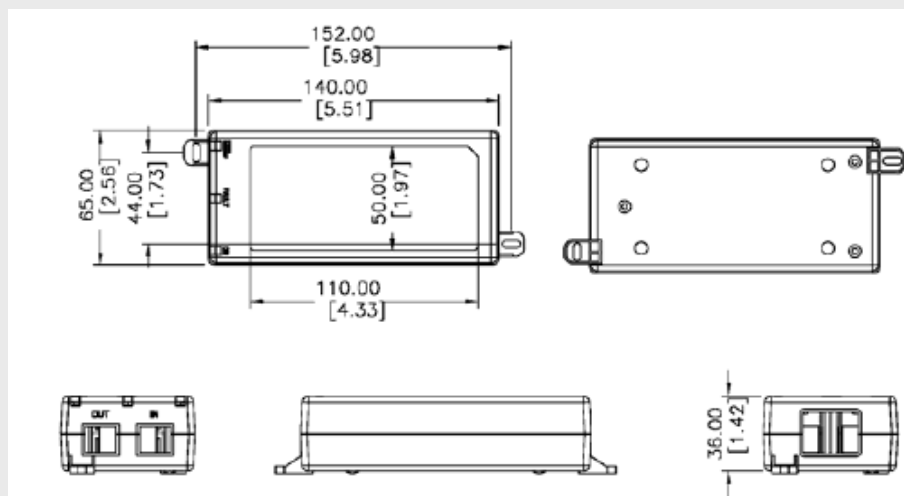
Input:

Input voltage:	90-264VAC
Frequency:	47-63 Hz
Input current max:	0.5A/90VAC
Input connection:	IEC320 3-pole, C14

Output:

Output voltage:	See below table
Output current:	See below table
Line/load regulation:	+/-4%
Ripple:	max 1%
Efficiency:	65%
Short circuit protection:	Auto recovery
Temperature range:	0°C...+40°C
Connection:	Double RJ45
Size:	140x65x36mm
Weight:	200g
Safety and EMC:	UL/cUL/CE/CCC/S-Jet/TUV/FCC/SAA

Mechanical drawing:



Ordering information:

Type	Connection	Power	Output voltage	Current
PSA16U-480(POE)	3pol C14	15,4 W	48 VDC	350 mA