

# POWERSUPPLIES

## PoE Injector, 33.6W



- Complies with IEEE802.3af
- Three LED indicates function and power
- International approvals

### Technical data:

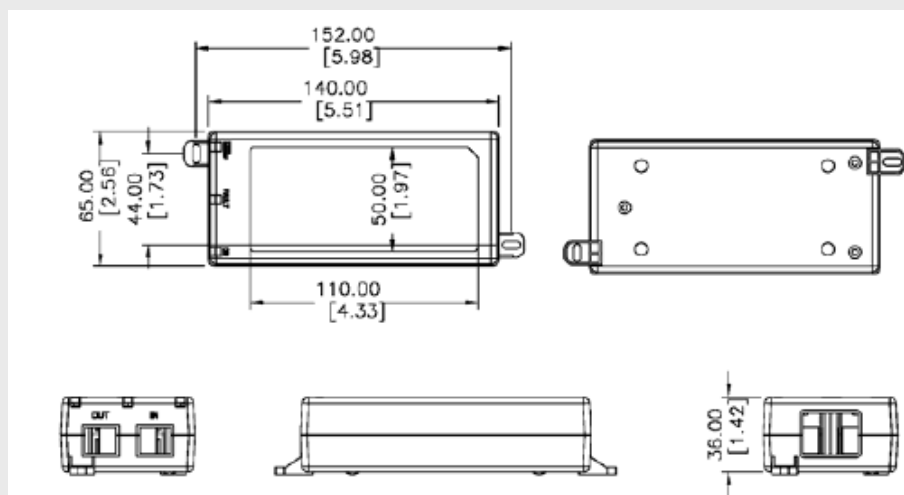
#### **Input:**

Input voltage: 90-264VAC  
Frequency: 47-63 Hz  
Input current max: 1.0A/90VAC  
Connection: IEC320 3-pole, C14

#### **Output:**

Output voltage: See below table  
Output current: See below table  
Line/load regulation: 54-57VDC  
Ripple: max 1%  
Efficiency: 78%  
Short circuit protection: Auto recovery  
Temperature range: 0°C...+40°C  
Connection: Double RJ45  
Size: 140x65x36mm  
Weight: 200g  
Safety and EMC: UL/cUL/CE

### Mechanical drawing:



### Ordering information:

Type	Connection	Power	Output voltage	Current
POE36U-1AT	3pol C14	33,6 W	56 VDC	600 mA