

POWERSUPPLIES

PoE Gigabit injector, 19.6W



- Complies with IEEE802.3af
- Three LED indicated function and power
- IOL test report (Inter Operability Lab)
- Gigabit compatible
- International approvals

Technical data:

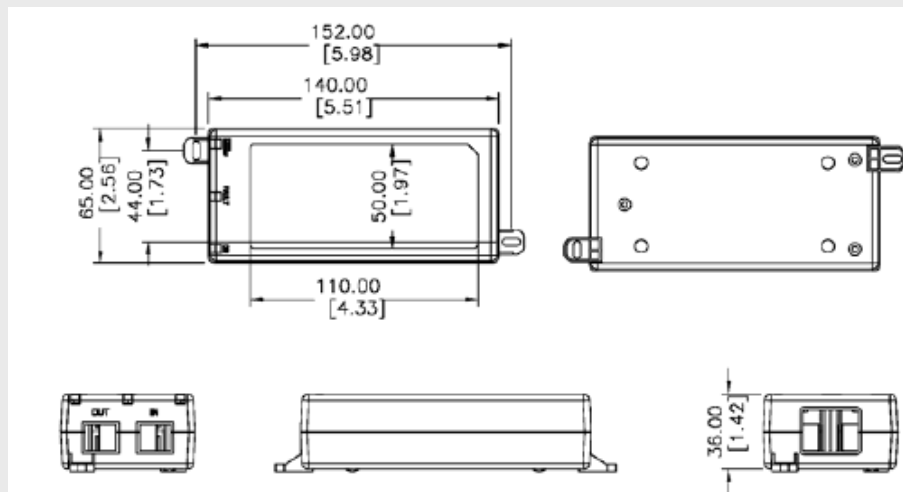
Input:

Input voltage: 90-264VAC
Frequency: 47-63 Hz
Input current max: 0.35A/240VAC
Inrush current max: 20A/230VAC
Input connector: IEC320 3-pole, C14

Output:

Output voltage: See below table
Output current: See below table
Line/load regulation: +/-4%
Ripple: max 1%
Efficiency: 65%
Protection: Short circuit and over load according to 802.3af spec.
Temperature range: 0°C...+40°C
Connection: Double RJ45
Size: 140x65x36mm
Weight: 200g
Safety and EMC: UL/cUL/CE/SABS/Korea(PHC)/SAA/CCC/S-Jet/C-tick

Mechanical drawing:



Indications:

LED 1, green indicates power "ON"
LED 2, red, indicates "Fault"
LED 3, green detects an 802.3af product is connected

Ordering information:

Type	Connection	Power	Output voltage	Current
POE20U-560(G)	3pol C14	19,6 W	56 VDC	350 mA