

DC-Motor Controller

Model PM-67

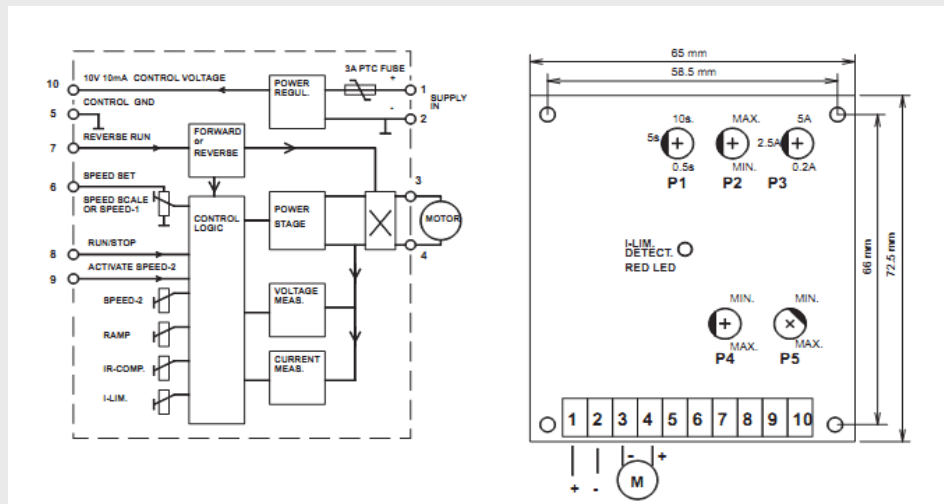


- Direction change
- Brake
- Continuous / 2 - step speed control
- Adjustable acceleration / braking ramp
- Adjustable current limit
- High efficiency

Technical data:

Voltage supply:	20 - 34 VDC
Control current:	3 A rms / 5 A Max
Idle current:	approx. 40 mA
Control voltage:	0...5 V / 0...10 V
Control power:	70 W rms
Braking power:	30 W (1/10 duty cycle)
Voltage loss:	1 V @ $I_m = 3$ A
Current limit:	0.2...5 A
Fuse:	3 A self-recovery
Ramp:	0.5...10 s
Control potentiometer:	1...10 kohm
Digital control:	ON @ $U_{in} = 4...30$ V OFF @ $U_{in} = 0...1$ V or open
EMC-testing:	EN 50081-2 & 50082-2
Dimensions:	65 x 72 x 30 mm
Weight:	ca 70 g

Block diagram / Dimensions:



Order information:

PM-67