

Brushless DC Motor Controller



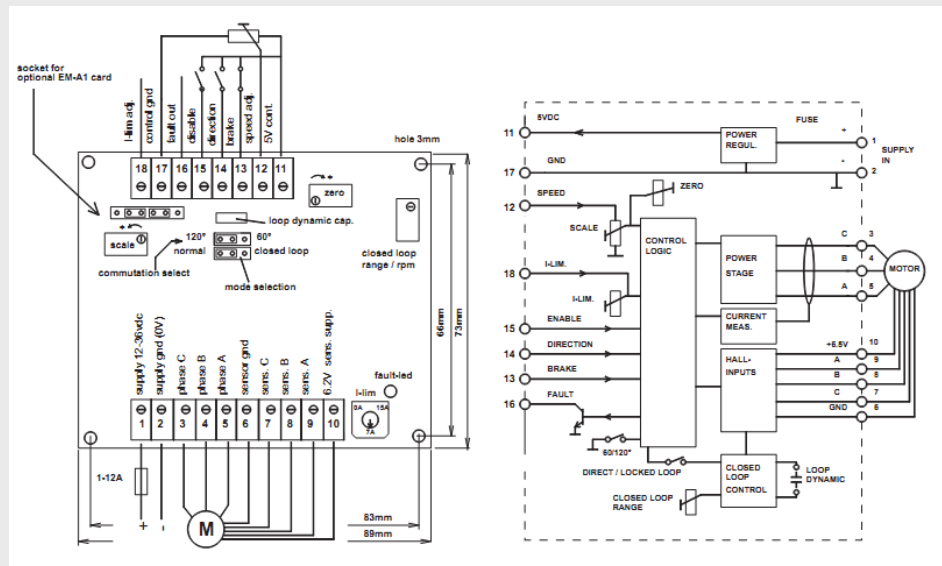
Model PM-206

- 60° or 120° commutation
- $\pm 10V$ control option
- Settable / controllable current limit
- High efficiency
- Hall sensorer supply and input
- Braking

Technical data:

Supply voltage:	12 - 36 VDC
Over voltage protecting:	39 VDC
Current limit:	0...15 A
Current limit input:	0...5 V corresponds to 0 - 15 A
Thermal protection:	120 °C (heat sink)
Voltage loss:	0,8 V at $I_m = 10 A$
Control voltage:	0 - 10 V (0 - 5 V adjustable)
Control potentiometer:	2 - 10 k
Control voltage output:	5 V (max 10 mA)
Hall voltage output:	6,5 V
Digital control:	"High" @ $U_{in} = 3...30 V$ "Low" @ $U_{in} = 0...1 V$
Control input impedance:	10 k
Dimensions:	89 x 73 x 25 mm
Weight:	approx. 130 g

Block diagram / Dimensions:



Orderinformation:

PM-206