

MOTOR

DC motor with gear MR76

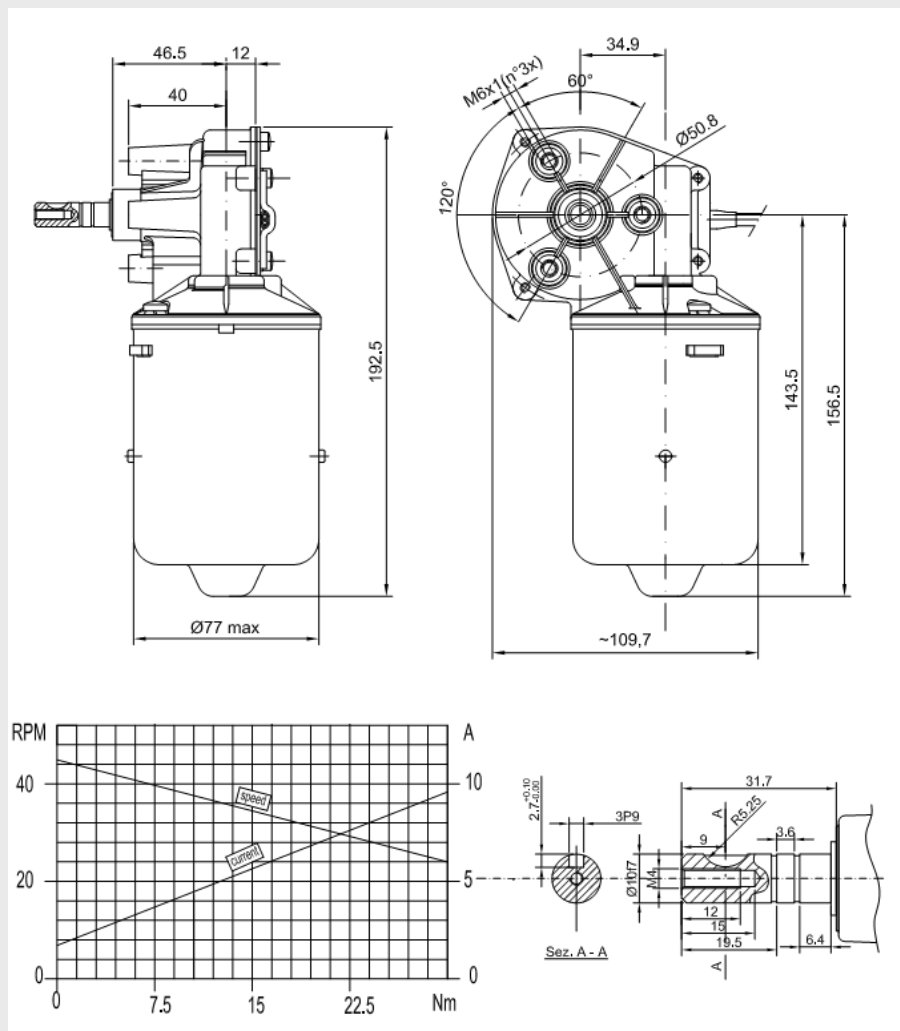


- High starting torque
- Compact
- Low noise
- Encoder, EMC filter and Thermo protection as option

Technical data:

Voltage:	24 VDC / 50-60 Hz
Output power:	56 W
Rated torque:	15 Nm
Starting torque:	65 Nm
Output speed:	35 rpm
Protection class:	IP40

Dimensions:



Order information

The range offers more models than you can find here. Please contact us for more information.