

# MOTOR

## DC motor with gear MR62

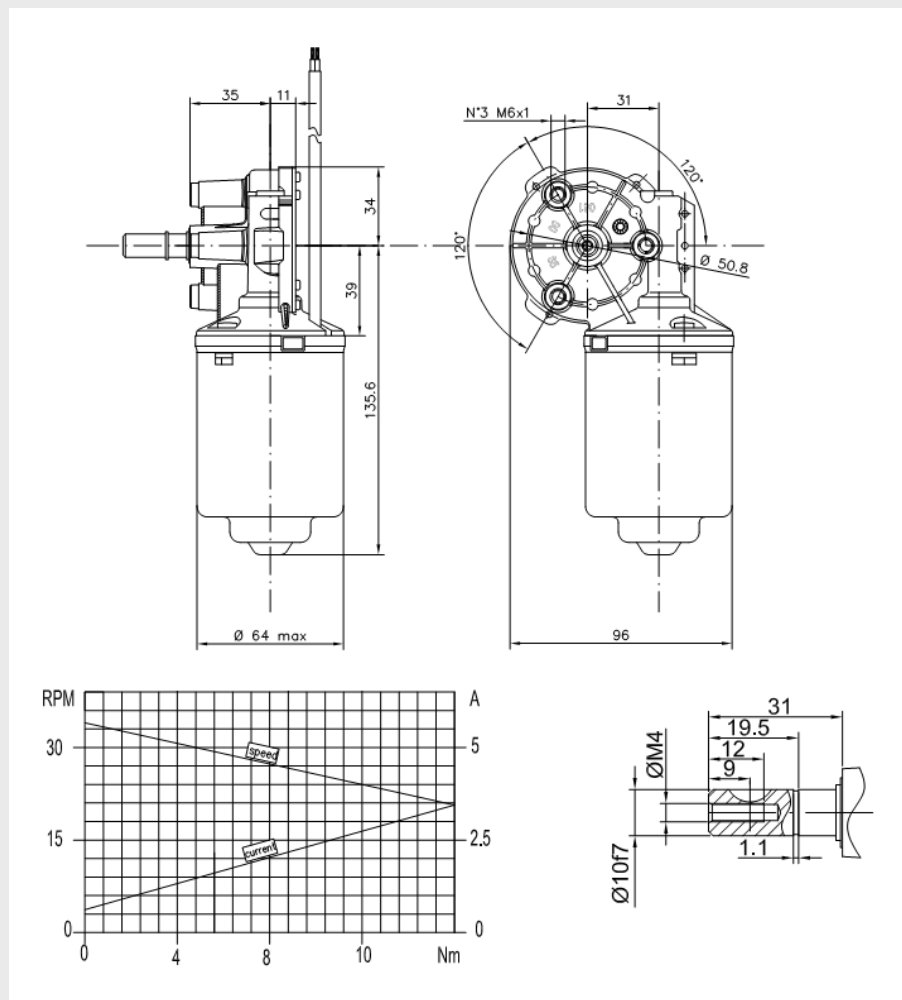


- High starting torque
- Compact
- Low noise
- Encoder, EMC filter and Thermo protection as option

### Technical data:

Voltage:	24 VDC / 50-60 Hz
Output power:	17 W
Rated torque	6 Nm
Starting torque:	34 Nm
Output speed:	28 rpm
Protection class:	IP40

### Dimensions:



### Order information

The range offers more models than you can find here. Please contact us for more information.