

MOTOR

DC motor with gear MR42

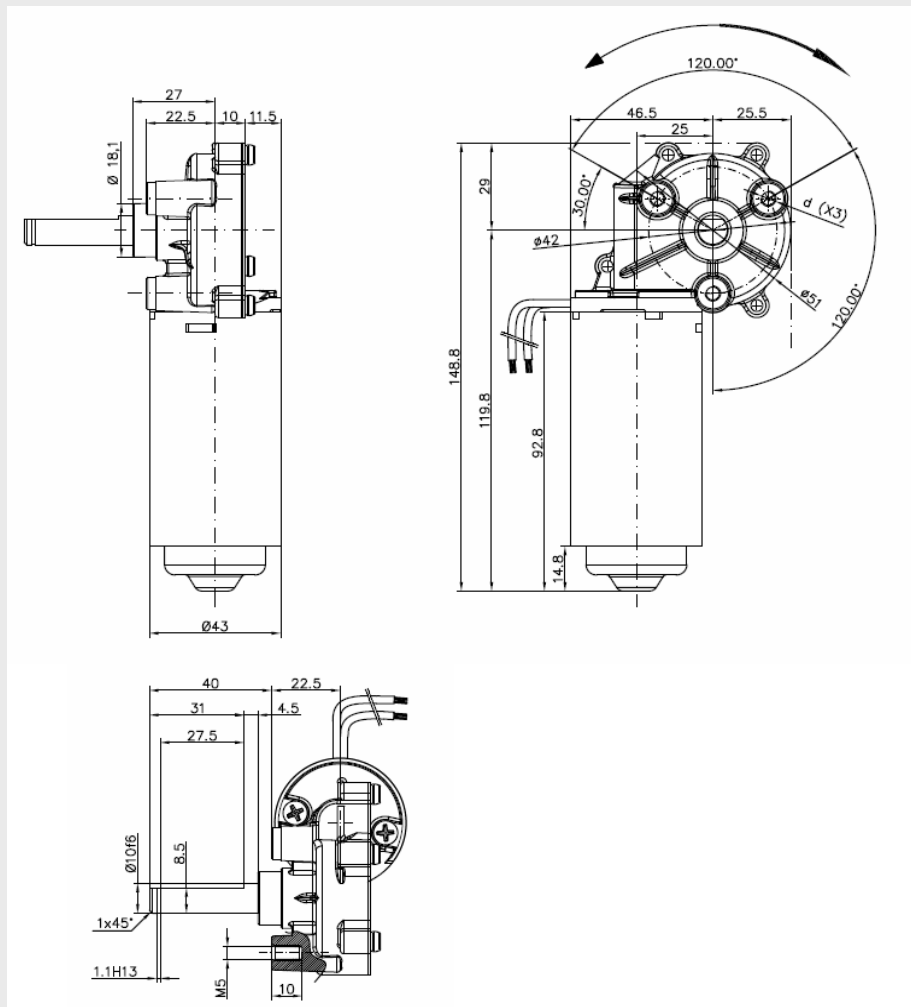


- High Starting torque
- Compact
- Low noise
- Encoder, EMC filter and Thermo protection as option

Technical data:

Voltage:	24 VDC / 50-60 Hz
Output power:	12 W
Rated torque:	1 Nm
Starting torque:	8,2 Nm
Output speed:	115 rpm
Protection class:	IP30

Dimensions:



Order information

The range offers more models than you can find here. Please contact us for more information.