

# POWERSUPPLIES

## 2-step intelligent Li-ion charger 5-20W



- 2 color (red/green) led indicates charging status
- Suitable for 2 – 15Ah Li-ion / Li-polymer / LiFePo4
- Very compact size
- Manufactured according to EN60335

Two color led indicate charging status. Red for charging and green for charging complete. Connect a discharged battery. Step1: Bulk charge with C.C (constant current) up to 4.2V/cell. Step2: Bulk charge with C.V (constant voltage,) 4.2V/cell and charge current will slowly decline. When the charging current drop below 0.1 of the charge current (ex.  $0.1 \times 1.3A = 0.13A$  for the 4 cell charger) the battery is fully charged and the led color will switch from red to green.

### Technical data:

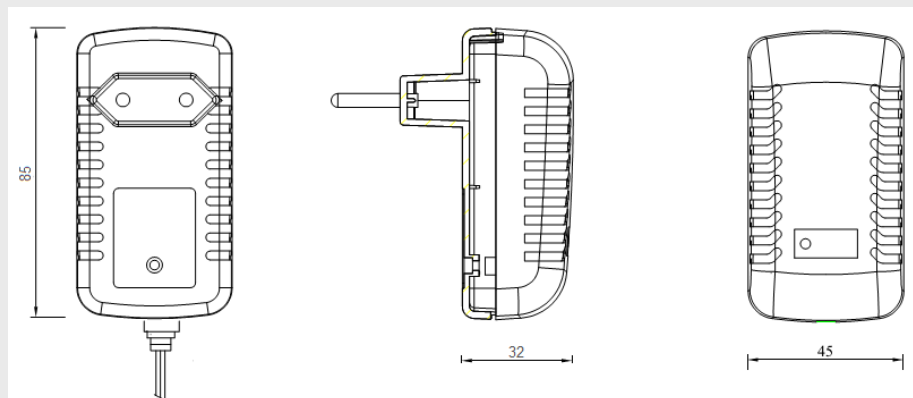
#### Input:

Input voltage:	90-264VAC
Frequency:	47-63 Hz
Input current max:	0.2A
Back current drain:	<1.3mA

#### Output:

Output voltage:	See below table +/- 1%
Output current:	See below table +/- 6%
Charging steps:	C.C - C.V
Ripple&noise:	<100mV max
Efficiency:	80%
Short circuit protection:	Auto recovery
Wrong polarity protection:	Auto recovery
Temperature range:	-10°C...+40°C
Plug and cable:	1.2m, all kinds of plugs are available
Size:	85x45x32mm
Weight:	110g
Safety and EMI:	CE, EN60335

### Mechanical drawing:



### Ordering information:

Type	Battery	Charge voltage	Charge current
PCH20-1C-Li (1 cell Li-ion)	3.7 VDC	4.2 VDC	1.0 – 2.0 A
PCH20-2C-Li (2 cell Li-ion)	7.4 VDC	8.4 VDC	1.0 – 2.0 A
PCH20-3C-Li (3 cell Li-ion)	12.8 V DC	12.6 VDC	0.7 – 1.5 A
PCH20-4C-Li (4 cell Li-ion)	14.8 VDC	16.8 VDC	0.6 – 1.3 A
PCH20-1C-Fe (1 cell LiFePo4)	3.2 VDC	3.6 VDC	1.0 – 2.0 A
PCH20-2C-Fe (2 cell LiFePo4)	6.4 VDC	7.2 VDC	1.0 – 2.0 A
PCH20-3C-Fe (3 cell LiFePo4)	9.6 VDC	10.8 VDC	0.7 – 1.5 A
PCH20-4C-Fe (4 cell LiFePo4)	12.8 VDC	14.4 VDC	0.6 – 1.3 A