

# POWERSUPPLIES

## HRPG-150, Switching powersupply, 150W



- Wide input voltage range
- PFC, Power factor correction
- 1U low profile 38mm
- Built-in remote ON-OFF function
- 5VDC 0.3A output
- Built-in remote sense function
- 5 years warranty

### Technical data:

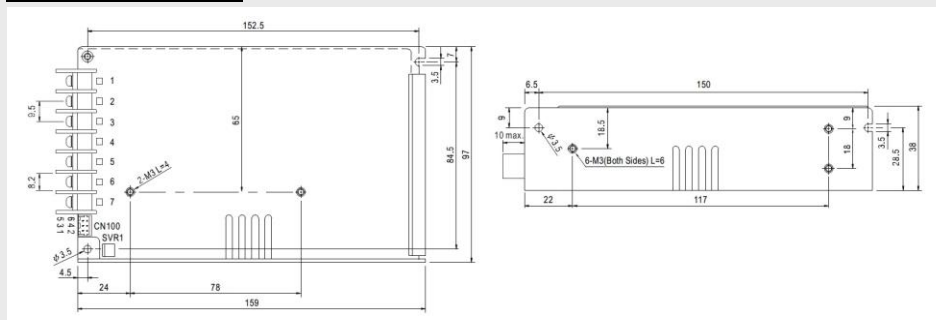
#### Input:

Input voltage: 85-264VAC / 120-370VDC  
Frequency: 47-63 Hz  
Input current at 230VAC: 1.3A  
Inrush current at 230VAC: 70A

#### Output:

Output voltage: See table  
Output current: See table  
Adjustable output voltage: +/-15%  
Overload protection: 105-135% constant current limiting, auto-recovery  
Over voltage protection: 115-145% rated output voltage  
Line regulation: +/-0.2-0.5% depends of model  
Load regulation: +/-0.5-1.0% depends of model  
Ripple & noise: 80-240mVp-p depends of model  
Efficiency: 78.5-88% depends of model  
Temperature range: -40°C...+70°C, derating depending of model  
Connection: Screw terminals  
Size: 159x97x38 mm  
Weight: 0.61kg  
Safety and EMC: UL/CUL/TÜV/CE/CB

### Mechanical drawing:



### Ordering information:

Type	Power	Output voltage	Output current
HRPG-150-3.3	99W	3.3VDC	30A
HRPG-150-5	130W	5VDC	26A
HRPG-150-7.5	150W	7.5VDC	20A
HRPG-150-12	156W	12VDC	13A
HRPG-150-15	150W	15VDC	10A
HRPG-150-24	156W	24VDC	6.5A
HRPG-150-36	154.8W	36VDC	4.3A
HRPG-150-48	158.4W	48VDC	3.3A