

POWERSUPPLIES

GSM25E, Switching adapter 25W for medical use



- Certified acc. to EN60601-1, 3rd edition and EN60601-1-11
- 2 x MOPP between primary side and secondary side
- ErP & CEC efficiency regulation compliance
- Low leakage current, <50uA
- 3 year warranty

Technical data:

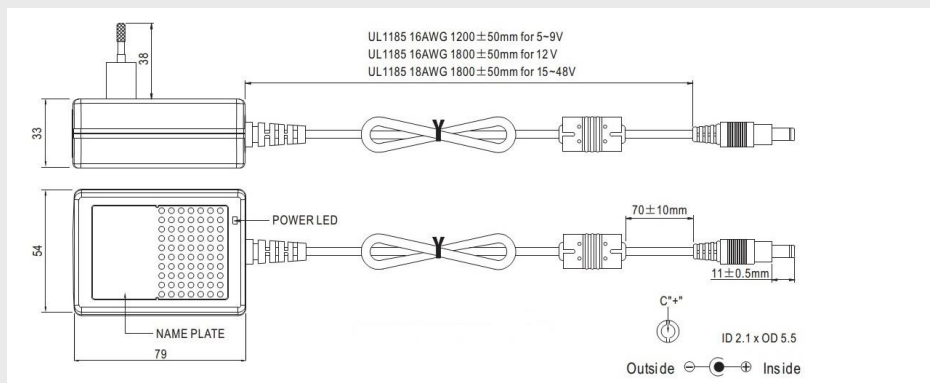
Input:

Input voltage:	90-264VAC
Frequency:	47-63 Hz
Input current:	0.35A @230VAC
Inrush current max:	55A @230VAC
Leakage current:	<50uA

Output:

Output voltage:	See below table
Output current:	See below table
Load regulation:	+/-2-6%
Line regulation:	+/-1%
Ripple:	60-240mVp-p
Hold up time:	16ms at full load
Efficiency:	80-88%
Protection:	Short circuit and over voltage protection
Temperature range:	-25°C...+60°C, derating applies depending on model
Plug and cable:	UL1185 cable 1200mm 16AWG for 5-9V, 1800mm 16AWG for 12V, 1800mm 18AWG for 15-48V, DC plug 2.1x5.5x11mm Other DC plugs upon request
Size:	79x54x33mm
Weight adapter:	230g
Safety and EMC:	CE/TUV/CB

Dimension:



Ordering information:

Type	Power	Output voltage	Current
GSM25E05-P1J	20 W	5 VDC	4.0 A
GSM25E07-P1J	22 W	7.5 VDC	2.93 A
GSM25E09-P1J	25 W	9 VDC	2.77 A
GSM25E12-P1J	25 W	12 VDC	2.08 A
GSM25E15-P1J	25 W	15 VDC	1.66 A
GSM25E18-P1J	25 W	18 VDC	1.38 A
GSM25E24-P1J	25 W	24 VDC	1.04 A
GSM25E48-P1J	25 W	48 VDC	0.52 A