

POWERSUPPLIES



GPE-182 Switching charger 12VDC

- Two step charger for Lead Acid batteries
- Two coloured LED indication
- Wide input voltage range
- Short circuit and over load protection
- Safety certificate according to GS/EN60950

Connecting the charger to mains voltage (without battery connected) the charging LED light green. When connecting an empty battery the charging LED changes from green to red. As the battery becomes charged and voltage reaches 14.4V and charging current drop below 90mA, the LED changes from red to green. It takes about 7-8 hours to charge an empty 4AH battery at 230VAC. The two coloured LED function is: Red LED indicates charging Green LED indicates charging ready / floating charge

Technical data:

Input:

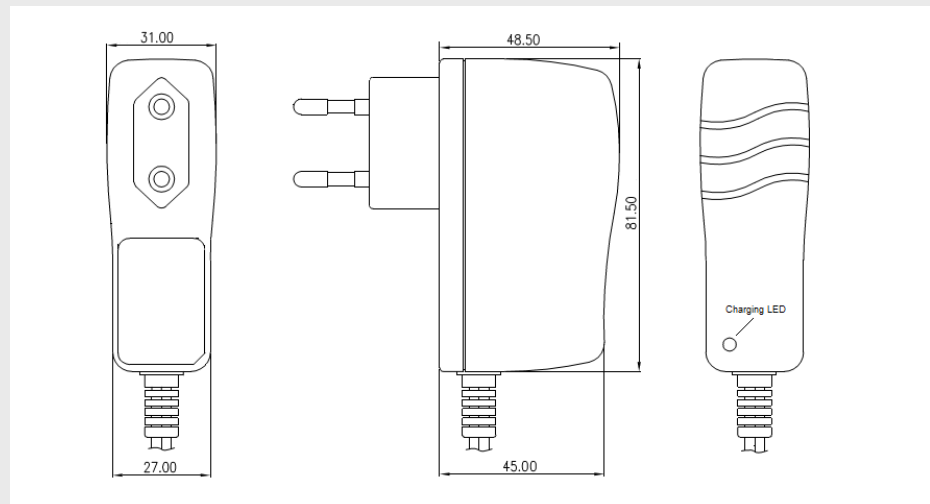
Input voltage:	90-264VAC
Frequency:	47-63 Hz
Input current:	0.3A/100VAC
Inrush current max:	30A/230VAC cold start
Leakage current:	0.25mA

Output:

Output voltage:	12-15VDC
Output current:	min 500mA/max 700mA
Line regulation 90-264V:	+/-2%
Ripple:	max 150mV
Efficiency:	80% typ
Switching frequency:	200KHz
Temperature range:	0°C...+40°C
Connection/cable:	1.8m cable and DC connector on request. Normally supplied with flying leads, strip 10mm and thinned.

Size:	82x31x48 mm
Weight:	ca 145g
Safety and EMC:	EN60950, CE

Mechanical drawing:



Ordering information:

Type	Power	Voltage	Current
GPE-182-120060-2	7.2W	12VDC	600mA