

POWERSUPPLIES

GC160, 2-step Lead Acid charger 160W



- 2 color LED indicate charging status
- Suitable for 15-160Ah Lead Acid / GEL / LiMnO₂ / LiFeO₄
- Efficiency up to 94%
- Active PFC function
- Wide input voltage range
- International approvals

Technical data:

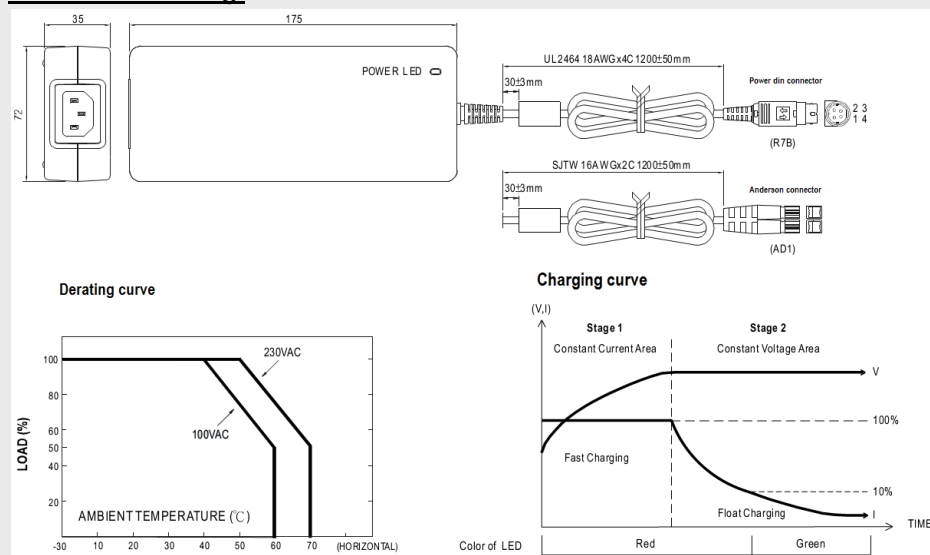
Input:

Input voltage: 90-264VAC
 Frequency: 47-63 Hz
 Input current max: 1.85A/115VAC, 1A/230VAC
 Inrush current max: 120A/230VAC

Output:

Output voltage: See below table
 Output current: See below table
 LED indicator: Charging C.C. (constant current) red color,
 Floating charging C.V. (constant voltage) green color
 Efficiency: 89-94%
 Protection: Overload, over voltage, over temperature protection
 Cooling: Convection cooled (no fan)
 Temperature range: -30°C...+60°C, see also derating curve
 Plug and cable: 1.2m cable UL2464 AWG18, DC plug 4p power din or SJTW 16AWG with Anderson connector.
 Other connectors available upon request
 Size: 175x72x35mm
 Weight: 700g
 Safety and EMI: EN60950, CB, FCC, CE med power din connector
 UL1012; EN60950, CB, FCC, CE med Anderson connector

Mechanical drawing:



Ordering information:

Type	Charge current	Power	Charge voltage
GC160A12-xxx	10.0 A	136 W	13.6 VDC
GC160A24-xxx	5.89 A	160 W	27.2 VDC
GC160A48-xxx	2.95 A	160 W	54.4 VDC

For complete charger please state DC connector: xxx=R7B power din or xxx=AD1 for the Anderson connector.