

MOTOR



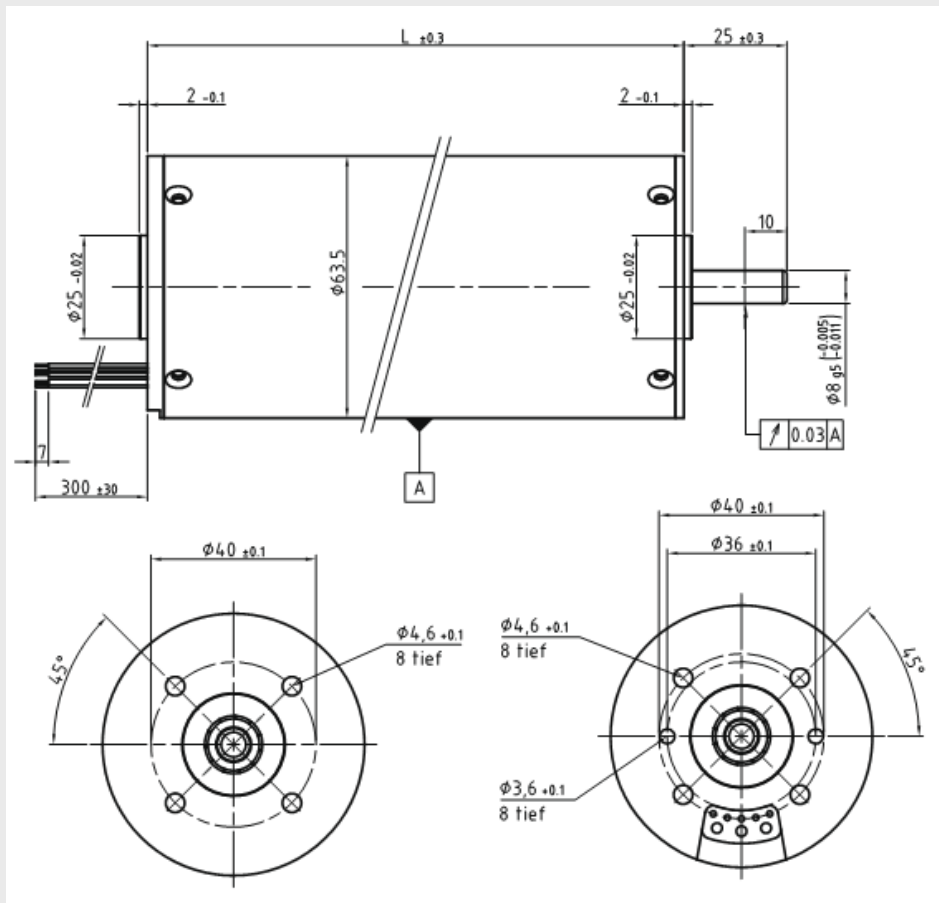
Brushless DC-motor, ECM63x20,x40,x60

- Long lifetime
- High efficiency
- Low noise
- Easy to control / regulate

Technical data:

Input voltage:	24 VDC
Output power:	36,4 - 118,5 W
Rated torque:	12 - 40 Ncm
Motor speed:	2600 - 2900 rpm
Current:	2,22 - 6,43 A
Torque constant:	6,5 - 7,3 Ncm
Rotor inertia:	106 - 306 gcm ²
Weight:	0,80 - 1,55 kg
Length:	90 - 130 mm
Axial load:	110 N
Radial load:	300 N

Dimensions:



Order information:

Please contact us for more information and article number.