

POWERSUPPLIES

3-step intelligent Lead Acid charger 20W



- 2 color (red/green) led indicates charging status
- Suitable for 7 – 20Ah Lead Acid (SLA), AGM or Gel
- Manufactured according to EN60335
- Also available with AC plug for US

Two color led indicate charging status. Red for charging and green for charging complete.
Step 1: Bulk charging with C.C. (constant current) up to 14.5V (7.3V for 6V battery), red led lights.
Step 2: Charging with C.V. (constant voltage) 14.5V. The charging current drops slowly to 15-20% of C.C. and the led changes from red to green. The battery is now charged to approx. 90% to 95%.
Step 3: Float charging with 13.6V.

Technical data:

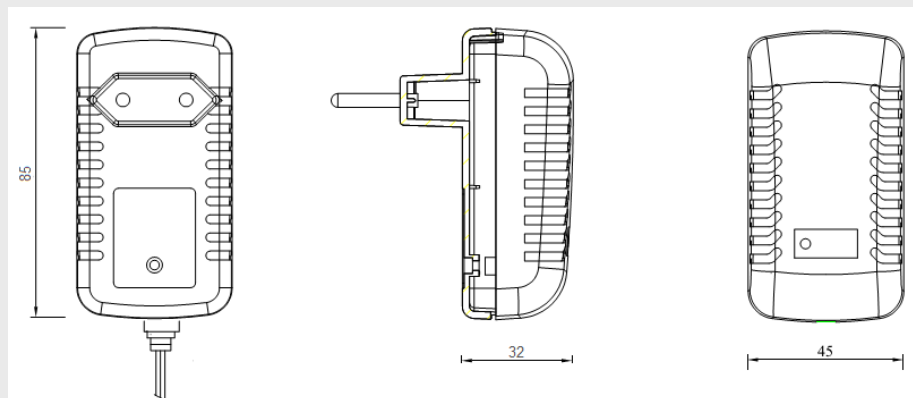
Input:

Input voltage:	90-264VAC
Frequency:	47-63 Hz
Input current max:	0.2A
Back current drain:	<1.3mA

Output:

Charge voltage:	See below table +/- 1%
Charge current:	See below table +/- 6%
Charging steps:	C.C – CV – Float
Ripple:	<100mV max
Efficiency:	>80%
Short circuit protection:	Auto recovery
Wrong polarity protection:	Auto recovery
Temperature range:	-10°C...+40°C
Plug and cable:	1.2m, all kinds of plugs are available
Size:	85x45x32mm
Weight:	110g
Safety and EMI:	CE, EN60335

Mechanical drawing:



Ordering information:

Type	Battery	Charge voltage	Charge current
PLAC2012-A6	6 VDC	6.8 VDC	2.0 A
PLAC2012-A12	12 VDC	13.6 VDC	1.5 A