

MAGNETIC PRODUCTS

10/100 BASE-TX Transformer module

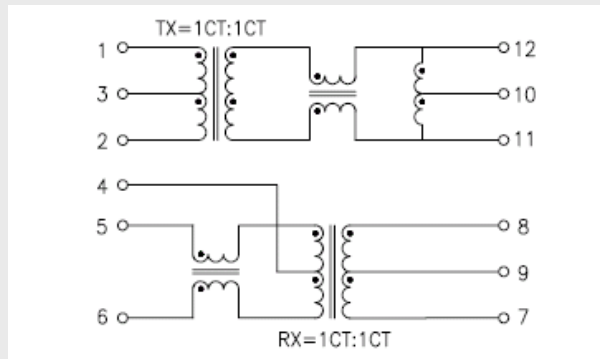


- Compliant with IEEE 802.3 and ANSI X3.263 standards
- Meet EN60950-1 basic insulation requirements
- Compact symmetrical size facilitates chip shooter placement

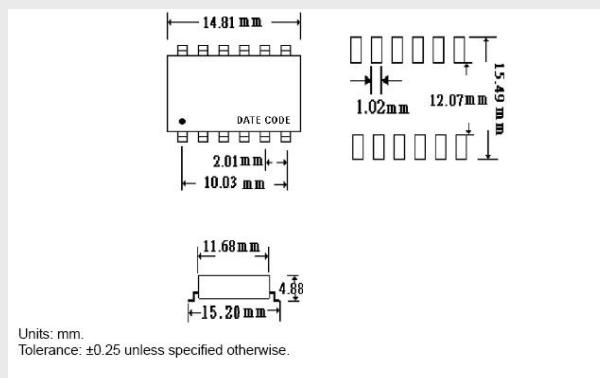
Technical data @ 25°C:

Turns ratio +/- 5%	
TX and RX:	1CT : 1CT
OCL@ 100KHz/0.1Vrms, 0.8mA:	350uH min
Insertion loss, 0.3-100MHz:	-1.2dB max
Return loss,	
0.3-30MHz:	-16dB min
30-60MHz:	-14dB min
60-80MHz:	-12dB min
DCMR,	
60MHz:	-58dB min
100MHz:	-42dB min
200MHz:	-37dB min
Cross talk,	
0.3-60MHz:	-45dB min
60-100MHz:	-30dB min
Isolation:	1500Vrms
Operating temperature:	0°C...+70°C
Storage temperature:	-25°C...+125°C

Schematic:



Mechanical:



Ordering information:

Part number	Description
10323002	Single port 10/100 BASE-TX SMD transformer module